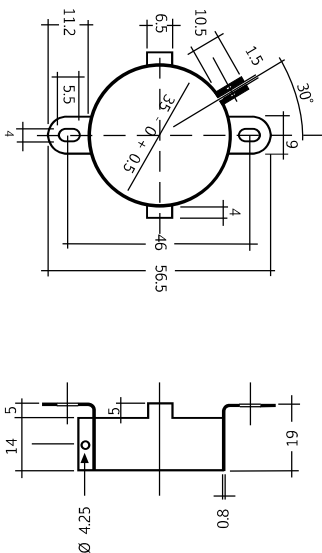


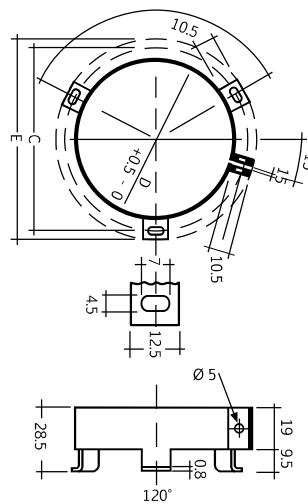
MOUNTING ACCESSORIES FOR THE SCREW TYPE CAPACITORS

Cap diameter Ø mm	C (±0.5) mm hole distance	E (±0.5) mm max width	ORDERING CODE	unit WEIGHT grams (±0.5)
35	46.0	56.5	160350000000000000	11.0
51	63.5	73.4	160500000000000000	22.0
63	76.0	86.1	160640000000000000	26.0
76	89.0	98.6	160760000000000000	27.0
90	101.6	111.1	160900000000000000	62.0

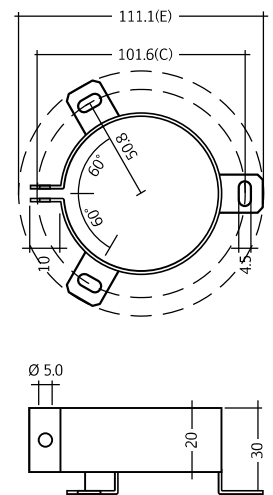
RING CLIPS Ø 35 mm



RING CLIPS Ø 51-63-76 mm



RING CLIPS Ø 90 mm



FEATURES

The mounting clips are mainly used for upright mountings of screw terminal capacitors. The ring clips are RoHS-compatible.

MOUNTING GUIDE

It is strongly recommended to insert an additional insulating layer between capacitor and mounting clip in order to avoid any potential risk of damage due to edges from the counting clips. Pay attention to any relevant regulations (e.g. VDE, BSA or UL).