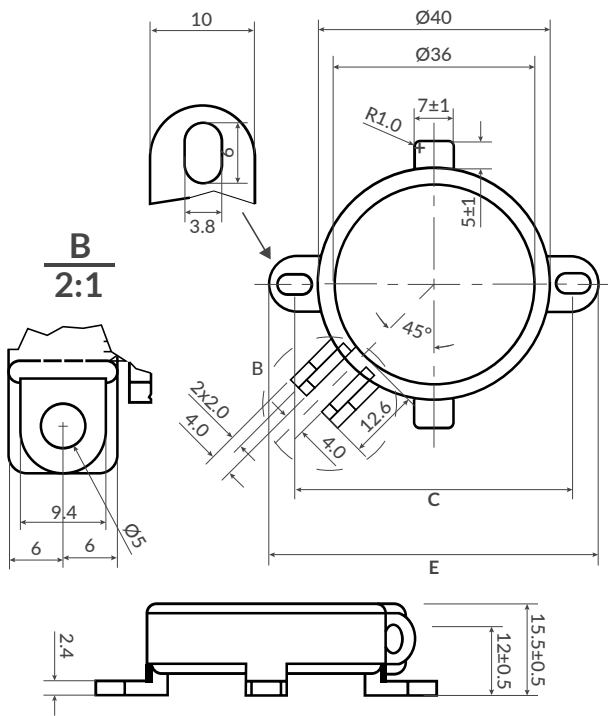


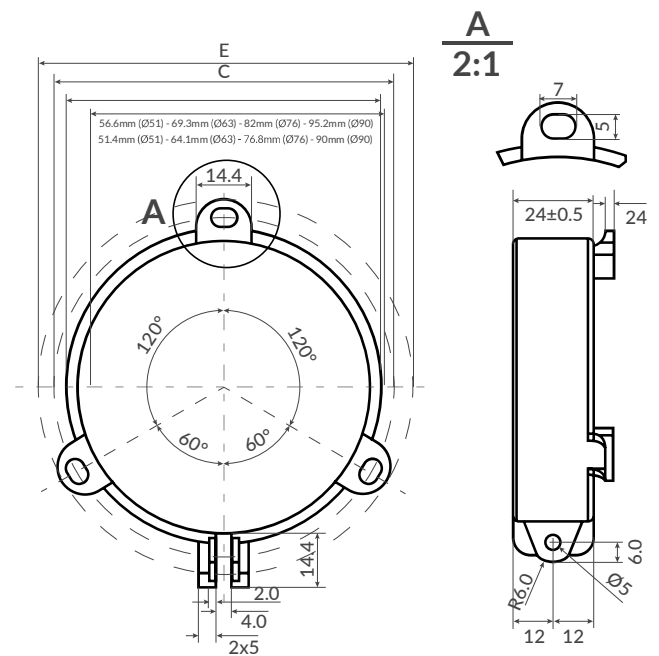
PET MOUNTING ACCESSORIES FOR THE SCREW TYPE CAPACITORS

Cap diameter Ø mm	C (±0.5) mm hole distance	E (±0.5) mm max width	ORDERING CODE	unit WEIGH grams (±0.5)
35	48.0	89.2	16035010000000000	5.0
51	65.4	77.0	16050020000000000	15.0
63	78.1	89.8	16064020000000000	19.0
76	92.0	102.5	16076020000000000	21.0
90	104.0	116.0	16090020000000000	23.0

PET RING CLIPS Ø 35 mm



PET RING CLIPS Ø 51-63-76-90 mm



FEATURES

The PET mounting clips are mainly used for upright mountings of screw terminal capacitors. The ring clips are RoHS-compatible.